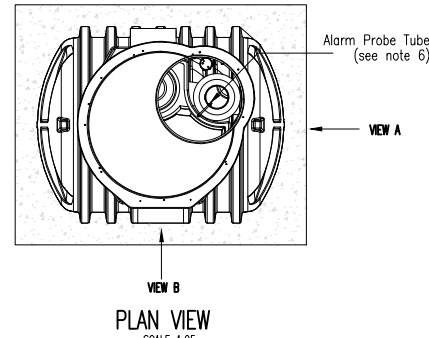


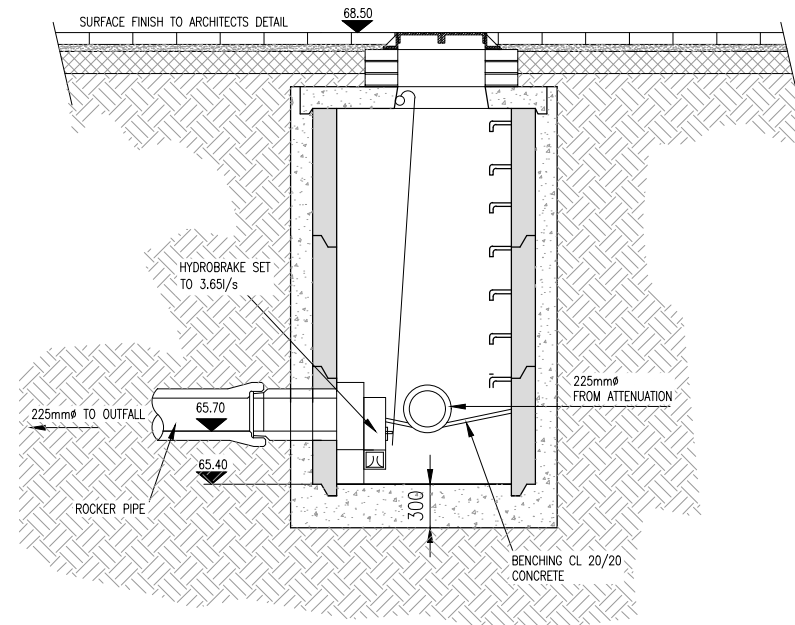
NOTES:

- INLET/OUTLET PIPES ARE PLAIN PIPE STANDARD EN 858 STATES MINIMUM CONNECTION SIZES, UNITS ORDERED WITH DIFFERENT SIZED CONNECTIONS ARE NOT FULLY COMPLIANT WITH THE STANDARD.
- EXTENSION NECKS FOR DEEPER INVERTS CAN BE PROVIDED. THESE CAN BE CUT IN 200 MM SECTIONS, MAX 2.0M INVERT RECOMMENDED. PLEASE ASK OUR SALES DEPARTMENT FOR FURTHER DETAILS.
- ALL UNITS REQUIRE APPROPRIATE COVER AND FRAME TO SUIT APPLIED LOADINGS.
- THIS DRAWING SHOULD BE USED FOR DIMENSIONAL INFORMATION ONLY. IT IS ESSENTIAL THAT THIS DRAWING IS READ IN CONJUNCTION WITH THE INSTALLATION GUIDELINES FROM THE SUPPLIER. 76 MM TUBE (INTERNAL) IS SUPPLIED TO HOUSE AN OIL ALARM PROBE.
- WET SITE CONDITIONS - CONCRETE BACKFILL DRY SITE CONDITIONS - PEA SHINGLE BACKFILL
- A Ø 76 MM TUBE (INTERNAL) IS SUPPLIED TO HOUSE AN OIL ALARM PROBE.

Outlet Size 'B'	Inlet Size 'A'	Fall across unit	Approx Empty Weight (kgs)	Dim L (mm)	Nominal Flow	Unit Ref No
Ø225 mm	Ø225 mm	100	180	1700	6 L/s	NSBP006



PLAN VIEW  
SCALE 1:25

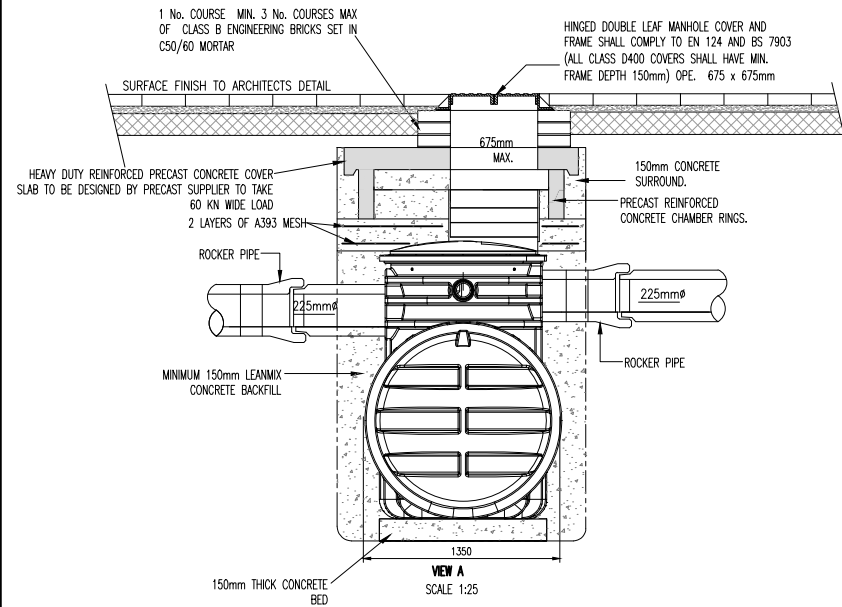


PROPOSED HYDROBRAKE MANHOLE SMH8  
SCALE 1:25

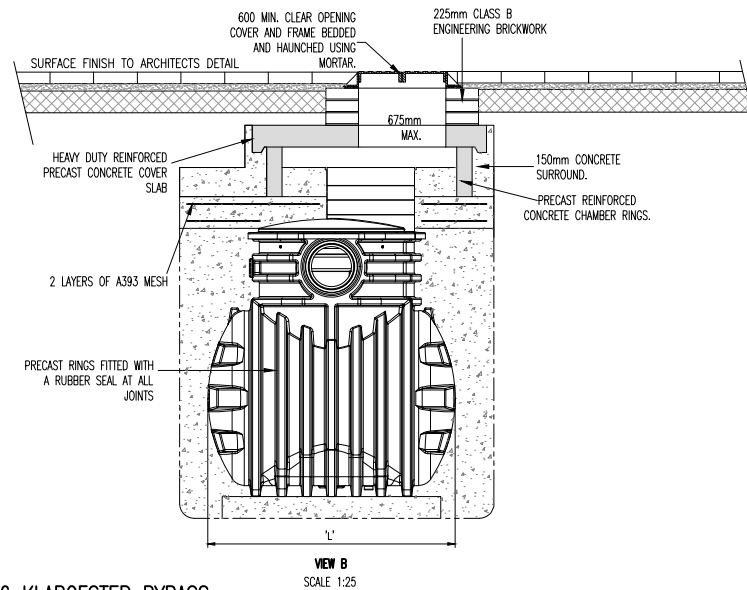
NOTE: FOR FURTHER DETAILS ON MANHOLE CONSTRUCTION PLEASE REFER TO DRAWING P230 FOR DETAILS

NOTES:

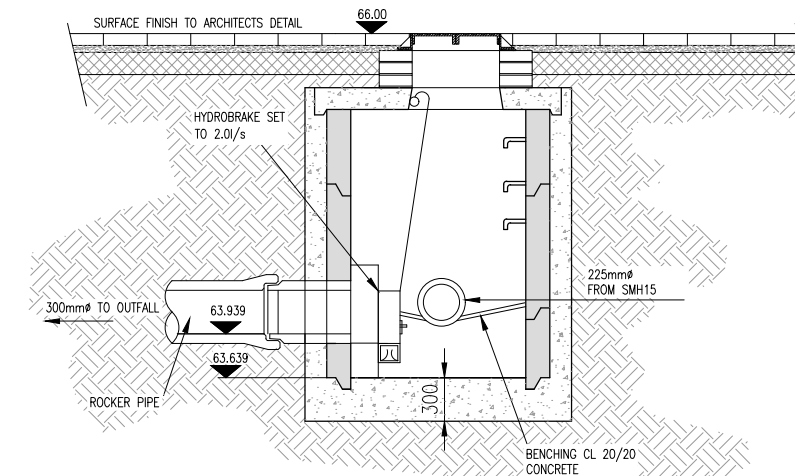
- ALL DIMENSIONS IN MILLIMETRES (mm) UNLESS NOTED OTHERWISE.
- AN INSPECTION CHAMBER SHOULD BE LOCATED AT OR WITHIN 1m OF THE PROPERTY BOUNDARY AT THE UPSTREAM END OF EACH SERVICE CONNECTION ON THE PRIVATE SIDE OF THE CURTILAGE, IF PRACTICABLE, CONSULT WITH IRISH WATER ON ALTERNATIVE LOCATIONS
- ANY PIPE AND ASSOCIATED ACCESS UPSTREAM OF THE POINT OF CONNECTION TO A PUBLIC SEWER IS A PRIVATE DRAIN AND SHOULD BE CONSTRUCTED IN ACCORDANCE WITH THE BUILDING REGULATIONS.
- ACCESS POINTS SHOULD BE LOCATED SO THAT THEY ARE ACCESSIBLE AND APPARENT TO THE MAINTAINER AT ALL TIMES FOR USE. THEY SHOULD AVOID REAR GARDENS OR ENCLOSED LOCATIONS AND THEY SHOULD NEVER BE OVERLAIN WITH SURFACE DRESSING, TOPSOIL, ETC.
- COVERS AND FRAMES SHALL BE SUITABLE FOR ROAD AND TRAFFIC CONDITIONS SUBJECT TO APPROVAL FROM IRISH WATER.
- 200mm ALL AROUND, 100mm DEEP CONCRETE PLINTH WITH PROTECTIVE STAINLESS STEEL METAL BAND AROUND COVERS IN GREEN AREAS.
- PROPRIETARY PREFABRICATED CHAMBER UNITS MAY ALSO BE USED, SUBJECT TO APPROVAL FROM IRISH WATER.
- CHAMBERS SHALL BE SURROUNDED BY A MINIMUM OF 150mm COMPACTED CLAUSE 804 OR CLAUSE 808 MATERIAL AS PER STD-WW-07.



DETAILS OF PROPOSED NSBP006 KLARGESTER BYPASS  
PETROL INTERCEPTOR IN LANDSCAPING AREA  
SCALE 1:25

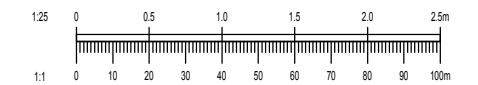


VIEW B  
SCALE 1:25



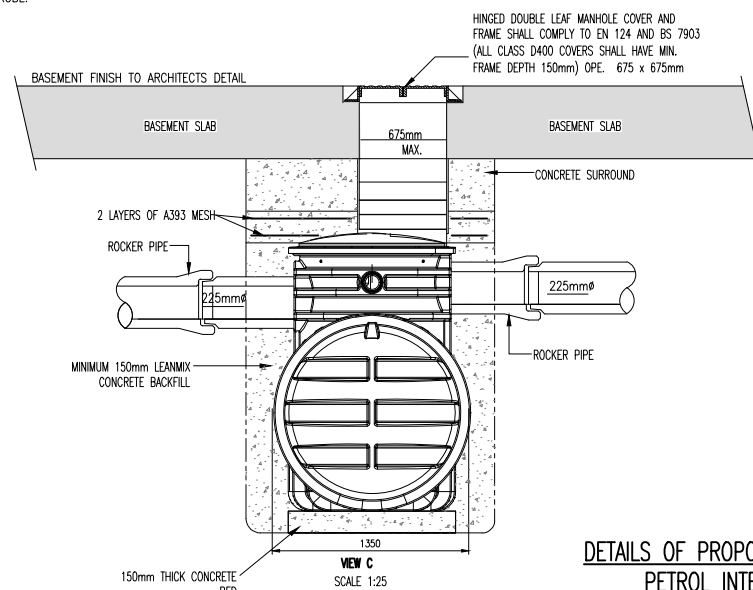
PROPOSED HYDROBRAKE MANHOLE SMH16  
SCALE 1:25

NOTE: FOR FURTHER DETAILS ON MANHOLE CONSTRUCTION PLEASE REFER TO DRAWING P230 FOR DETAILS

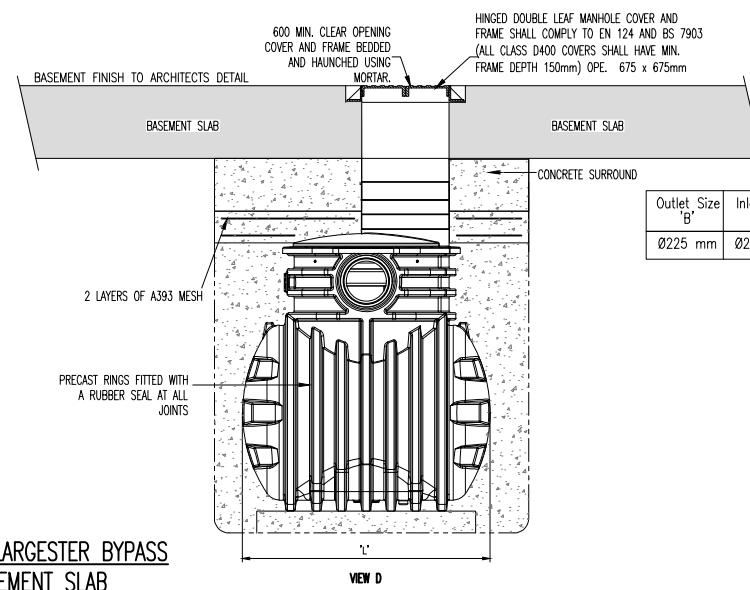


NOTES:

- INLET/OUTLET PIPES ARE PLAIN PIPE STANDARD EN 858 STATES MINIMUM CONNECTION SIZES, UNITS ORDERED WITH DIFFERENT SIZED CONNECTIONS ARE NOT FULLY COMPLIANT WITH THE STANDARD.
- EXTENSION NECKS FOR DEEPER INVERTS CAN BE PROVIDED. THESE CAN BE CUT IN 200 MM SECTIONS, MAX 2.0M INVERT RECOMMENDED. PLEASE ASK OUR SALES DEPARTMENT FOR FURTHER DETAILS.
- ALL UNITS REQUIRE APPROPRIATE COVER AND FRAME TO SUIT APPLIED LOADINGS.
- THIS DRAWING SHOULD BE USED FOR DIMENSIONAL INFORMATION ONLY. IT IS ESSENTIAL THAT THIS DRAWING IS READ IN CONJUNCTION WITH THE INSTALLATION GUIDELINES FROM THE SUPPLIER. 76 MM TUBE (INTERNAL) IS SUPPLIED TO HOUSE AN OIL ALARM PROBE.
- WET SITE CONDITIONS - CONCRETE BACKFILL DRY SITE CONDITIONS - PEA SHINGLE BACKFILL
- A Ø 76 MM TUBE (INTERNAL) IS SUPPLIED TO HOUSE AN OIL ALARM PROBE.

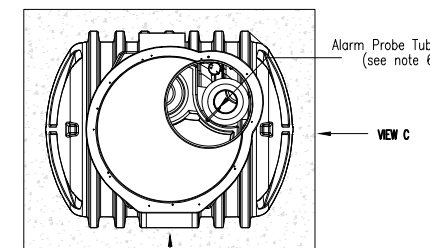


DETAILS OF PROPOSED NSBP003 KLARGESTER BYPASS  
PETROL INTERCEPTOR IN BASEMENT SLAB  
SCALE 1:25



VIEW D  
SCALE 1:25

Outlet Size 'B'	Inlet Size 'A'	Fall across unit	Approx Empty Weight (kgs)	Dim L (mm)	Nominal Flow	Unit Ref No
Ø225 mm	Ø225 mm	100	180	1700	3 L/s	NSBP003



PLAN VIEW  
SCALE 1:25

REV.	DATE	AMENDMENT	DRN	APPD

STATUS **FOR PLANNING ONLY**  
**NOT FOR CONSTRUCTION**

**Waterman Moylan**  
Engineering Consultants

BLOCK 5, EASTPOINT BUSINESS PARK, ALFIE BYRNE ROAD,  
DUBLIN D03 K7W7 IRELAND.  
Tel: (01) 664 8900 Fax: (01) 661 3618  
Email: info@waterman-moylan.ie www.waterman-moylan.ie

CLIENT **KW PRS ICAV ACTING FOR AND ON BEHALF OF ITS SUB-FUND KW PRS FUND 10**

ARCHITECT **O'MAHONY PIKE ARCHITECTS**

PROJECT **LANDS AT THE GRANGE, BREWERY ROAD, STILLORGAN, BLACKROCK, CO. DUBLIN**

TITLE **HYDROBRAKE & PETROL INTERCEPTOR DETAILS**

DRAWN	DESIGNED	APPROVED	DATE
G.Byrne	MI	JG	AUG. '19
SCALE	JOB NO.	DRG. NO.	REVISION
AS SHOWN @A1	18-093	P240	

© 2015. This drawing is copyright. No part of this document may be reproduced or transmitted in any form or stored in any retrieval system of any nature without the written permission of the consulting engineer or copyright holder except as agreed for use on the project for which the document was originally drawn.